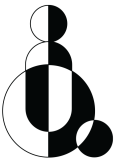


**FREE
WHEELCHAIR
MISSION**



FREE WHEELCHAIR MISSION WORKBOOK



WHEELCHAIR APPLICATION

GENERAL INFORMATION

Client Name:

Date of Birth & Age:

Address:

Phone #:

Caretaker Name (if applicable):

PHYSICAL CONDITION & CONSIDERATIONS

Diagnosis:

Ask

Observe

Do you have a medical or government certificate? Yes No

Can the client hold their head up safely? Yes No

Do you currently have a wheelchair? Yes No

Can the client sit up safely? Yes No

Where will you use or go with this wheelchair?
 Home Community
 Work Public transportation
 Rural areas Other: _____

This client can get in and out of a wheelchair:
 Independently
 With assistance of 1 person
 With assistance of 2 people

What is your experience using a wheelchair:

Notes:

PRESSURE SORES/SKIN

Does the person have a pressure sore? Yes No

If yes, describe:

Does the person have a history of pressure sores? Yes No



RECOMMENDATION & PRESCRIPTION

GEN_2 GEN_3 REFERRAL OUT: _____

Name


Organization

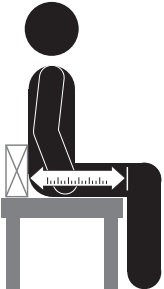
Today's Date

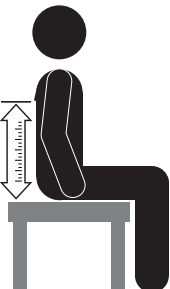
WHEELCHAIR FIT FORM

Client Name:	Today's Date:
---------------------	----------------------

MEASURE THESE THREE AREAS: Do not bend the tape measure.

<p>#1 SEAT WIDTH:</p> <div style="display: flex; align-items: center; justify-content: space-between;">  <div style="text-align: center;"> <div style="border: 1px solid black; width: 150px; height: 60px; margin: 0 auto; display: flex; align-items: center; justify-content: center;"> <div style="width: 80%;"></div> <div style="width: 20%; text-align: right; padding-right: 5px;">CM</div> </div> <p><input type="checkbox"/> Easy Measurement: (crossbar)</p> <hr style="width: 100%;"/> </div> </div>	SEAT WIDTH (CM) SIZE ✓	
	GEN_2	
	25cm- 33cm	GEN_2 S
	33cm- 38cm	GEN_2 M
	38cm- 43cm	GEN_2 L
	43cm- 48cm	GEN_2 XL
	GEN_3	
	25cm- 31cm	GEN_3 S
	31cm- 36cm	GEN_3 M
	36cm- 40cm	GEN_3 L
40cm- 47cm	GEN_3 XL	

<p>#2 SEAT LENGTH:</p> <div style="display: flex; align-items: center; justify-content: space-between;">  <div style="text-align: center;"> <div style="border: 1px solid black; width: 150px; height: 60px; margin: 0 auto; display: flex; align-items: center; justify-content: center;"> <div style="width: 80%;"></div> <div style="width: 20%; text-align: right; padding-right: 5px;">CM</div> </div> <p><input type="checkbox"/> Easy Measurement: (seat)</p> <hr style="width: 100%;"/> </div> </div>	SEAT LENGTH (CM) POSITION ✓	
	Less than 41cm	SHORTEST
	41cm- 47cm	MIDDLE
	Greater than 47cm	LONGEST

<p>#3 BACKREST HEIGHT:</p> <div style="display: flex; align-items: center; justify-content: space-between;">  <div style="text-align: center;"> <div style="border: 1px solid black; width: 150px; height: 60px; margin: 0 auto; display: flex; align-items: center; justify-content: center;"> <div style="width: 80%;"></div> <div style="width: 20%; text-align: right; padding-right: 5px;">CM</div> </div> <p><input type="checkbox"/> Easy Measurement: (backrest)</p> <hr style="width: 100%;"/> </div> </div>	BACK HEIGHT (CM) POSITION ✓	
	Greater than 52cm	HIGHEST
	48cm- 52cm	MID-HIGH
	44cm- 48cm	MID-LOW
	Less than 44cm	LOWEST

SAFE AND READY CHECKLIST

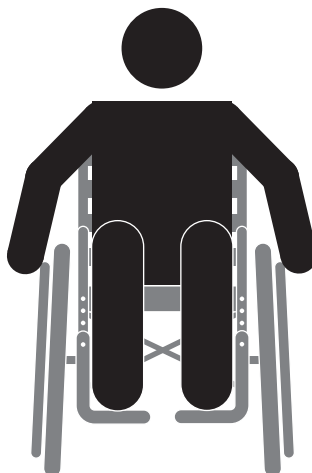


Use this form to check the wheelchair after assembly.

CHECK WHEELCHAIR ASSEMBLY		✓
The backrest and seat straps are around the metal frame.		
The calf strap is only through the thin metal loop.		
The seat cushion is connected to the Velcro and the slant is toward the front.		
The sharp parts of the bolts face away from the person.		
The backrest sits on top of the cushion.		
The black caps cover the castor bolts.		
The push rims are the same size.		
The seatbelt is connected lower than the armrest.		
WHOLE WHEELCHAIR		✓
There are no sharp edges.		
The wheelchair travels in a straight line when pushed.		
The frame bolts are tight.		
REAR WHEELS & CASTOR WHEELS		✓
The rear wheels and castor wheels spin freely.		
The axle bolts are secure.		
The rear tires are inflated correctly (follow PSI on tire or depressed less than 5mm).		
The push rims are secure.		
BRAKES		✓
The brakes function properly and are easy to pull back to lock.		
FOOTRESTS		✓
The footrests are securely attached.		
REPORT QUALITY CONTROL ISSUES:		✓
Send a picture, the PO#, and a description of the issue to WhatsApp: +1 (323) 996-9198.		
NOTES:		

FIT CONFIRMATION FORM

Use this form as a guide to check if you have correctly adjusted the wheelchair for the wheelchair user.



CHECK THE FIT



The client's hips should be to the back of the wheelchair.

The client's feet should be on the footrests.

There should be space for 2-3 fingers between the top of the backrest and the bottom of the client's shoulder blades.

If the client does not self-propel, move the backrest higher for comfort.
*The backrest should not go higher than the shoulders.

There should be space for a vertical hand-width between the frame and the client's hips.
*There should not be pressure on the client's sides.

Leave space for 2-3 fingers between the front of the seat and the back of the client's knee.

The seatbelt should be low on the client's hips.

Name

Organization

Today's Date

USER TRAINING CHECKLIST

Use this checklist as a guide when training the wheelchair user and/or their caregiver.

USER MANUAL		✓
Review and give the user manual.		
Show the contact information.		
PRESSURE SORE EDUCATION		✓
Explain how to slowly build up the amount of time the client sits in the wheelchair.		
Explain how to check for redness or sores each day.		
Teach the 4 pressure relief exercises- (1 minute every 15-30 minutes).		
TRANSFERS		✓
Teach how to do an independent transfer.		
Teach how to do a 1- person assisted transfer.		
Teach how to do a 2- person assisted transfer.		
SAFETY		✓
Show how to set the brakes.		
Teach fall recovery.		
Teach how to open/close the GEN_3 (if applicable).		
MOBILITY SKILLS		✓
Teach how to move the wheelchair forward & backward.		
Teach how to turn the wheelchair.		
Teach how to go up and down slopes.		
Teach how to go up and down curbs.		
Teach how to go up and down stairs.		
MAINTENANCE		✓
Show how to pump the tires.		
Explain how to tighten the nuts and bolts (if loose).		
Explain how to clean the wheelchair frame with oil.		
Explain how to check for broken or damaged parts (e.g. cushion, brakes, bearings).		